



# Building Maintenance Units - RC-T103

*Brochure roof cars*

*Fall Protection*

*Building Maintenance Units*

*Suspended Platform Systems*

*Scaffolding Systems*

*Suspended Access Rental*

**XSPlatforms**<sup>®</sup>



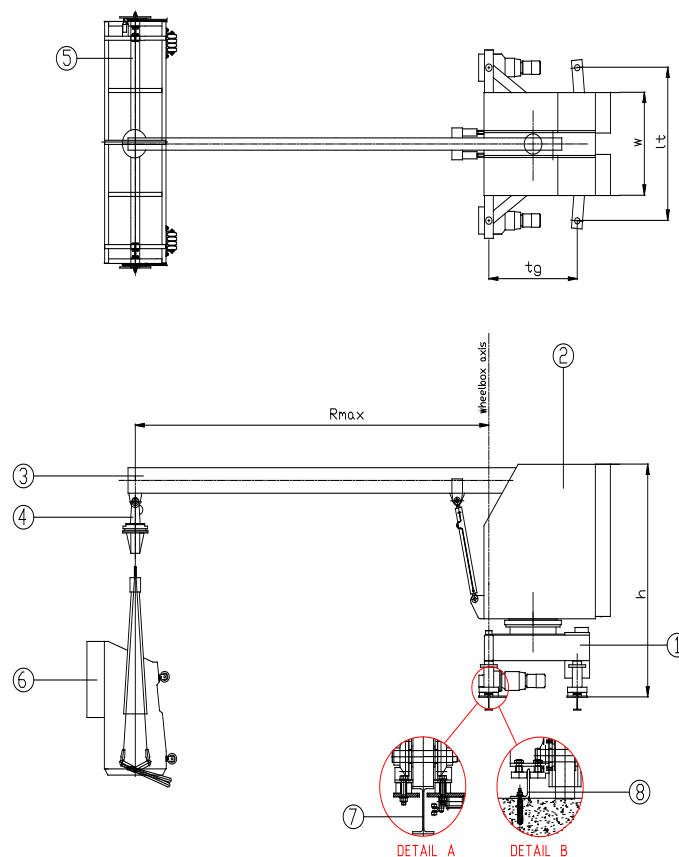
# Roof car RC-T103

## Product description

BMU RC-T103 for façades maintenance and cleaning is designed and manufactured according to European Regulations EN 1808. RC-T103 can be used on various height of buildings, maximum outreach is 6 meter (19'8<sup>1/4</sup>"). Undercarriage is designed on 4 wheels with 2 driven wheels and track gauge up to 1.5 meter (4'11<sup>1/16</sup>"). The undercarriage is composed of a metal frame with steel motorized wheels which can traverse around the building roof along an anchored rail track, a free laid rail track or a concrete path. Rotation of the upper frame and the balancer enable the cradle to be parallel to the façade at any location of the building. It can also be customized in a few ways: addition of pantographs (fixed or adjustable) and glass replacement unit (GRU).

## Main components

- 1 - undercarriage
- 2 - upper frame
- 3 - jib
- 4 - hangings
- 5 - balancer
- 6 - gondola
- 7 - track (detail A)
- 8 - guiding profile (for trackless version – detail B)



## Technical information

	mm	inch
OutReach (Rmax)	max. 6000	19'8 <sup>2</sup> / <sub>8</sub> "
Track gauge (tg)	up to 1500	4'11 <sup>1</sup> / <sub>16</sub> "
Length of trolley [between wheels] (lt)	min. 1500	4'11 <sup>1</sup> / <sub>16</sub> "
Height of roof car (h)	min. 2150	~67'3 <sup>1</sup> / <sub>16</sub> "
Width of upper frame (w)	min. 1010	~33'1 <sup>5</sup> / <sub>8</sub> "

### General characteristics

- Safe working load (BMU) up to 250 kilogram (551 lbs)
- Control system power cable (up to 60 meter (196'10<sup>3</sup>/<sub>16</sub>" height),  
E-cable or RF – Radio Frequency (60 – 100 meter (196'10<sup>3</sup>/<sub>16</sub>" - 328 ft) height)
- Power source 3Ph 318~415 Volt, 50 Hertz
- Control voltage 24 Volt
- Type of jib movement fixed or motorized with hydraulic cylinders
- Type of finish painted and parts galvanized 5 years standard guarantee
- Colour of units choice of RAL colours
- Traversing speed 12 meter (40 ft)/minute
- Turning speed 12 meter (40 ft)/minute
- Hoisting speed 9-18 meter (30-60 ft)/minute
- Wire rope diameter from 6 millimeter (0<sup>4</sup>/<sub>16</sub>" (according to project requirements or client request)
- Rope safety factor min. 12
- Type of undercarriage 4 wheels (2 driven wheels)
- Cradle/platform standard/fixed pantograph cradle

### Safety features

- Lower limit safety switch
- Upper limit safety switch
- Emergency stop switch
- Traversing safety switch
- Emergency descent control (power loss)
- Over-speed safety device
- Broken wire safety device
- Lose wire rope safety device
- Slewing safety switch
- Overload safety device
- Power cable limit switch
- End of wire rope safety switch

### **Additional accessories**

- Water tank min 30 liters (6.6 gallon) c/w drain cock, all rust free type
- Glass hook replacement unit
- Safety harness (full body type) c/w lanyard
- Telephone

### **Conform to standards**

- To all Dutch safety codes
- European Union - EN 1808 (we also comply with every country (non European) standards)
- XSPlatforms is certified to ISO 9001:2000, all XSPlatforms products comply





# Access to Innovation

In over fifteen years, XSPlatforms has built up a convincing track record in developing smart solutions for facade access. We offer the widest range of products and solutions. What is more, our customers can confidently expect us to understand their business, and to come up with innovative answers to increasingly complex questions, time and again. As a result, we have become the partner of choice for so many discerning customers, providing solutions for some of the most complex structures around the world and facilitating work on more than 2,000 roofs (and counting). We care for our customers, in every sense. And that is why we develop and engineer our products as though our lives depended on them.



**XSPlatforms BV**  
P.O. Box 510  
4200 AM Gorinchem  
The Netherlands  
Telephone +31 (0)183 56 91 11  
Fax +31 (0)183 56 91 12  
E-mail [info@xsplatforms.com](mailto:info@xsplatforms.com)

**XSPlatforms Middle East**  
P.O. Box 16873  
Jebel Ali, Dubai  
United Arab Emirates  
Telephone +971 (4) 887 24 88  
Fax +971 (4) 887 24 99  
E-mail [info@xsplatforms.com](mailto:info@xsplatforms.com)